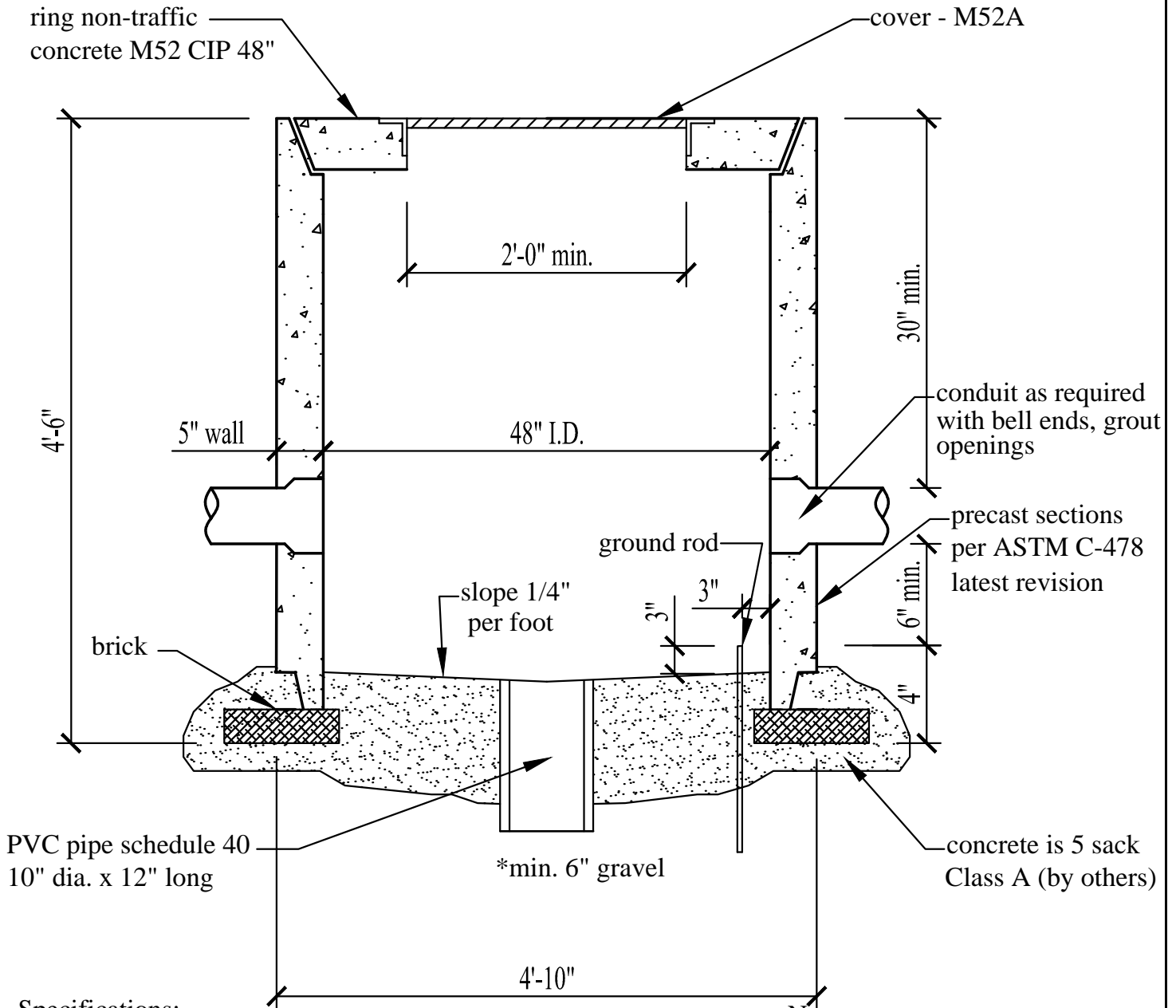


48" Pullbox (Non-Traffic)



Specifications:

- Concrete has a 28 day strength of 5,000 psi
- Steel reinforcement is ASTM A615 Grade 60

Notes:

- The structure shall be placed on a compacted granular base
- Consult Manufacturer before handling



CAPITAL PRECAST, INC.

800 WATSON LANE EAST
NEW BRAUNFELS, TEXAS 78130
PH. (830) 606-6200

FOR 48" Pullbox (Non-traffic)

JOB

DRAWN

RW

DATE

10/29/13

ENG. No.

SHEET

1 OF 1

FILE f:/users/renee/pullbox/48pullbox(non-traffic)rev.dwg