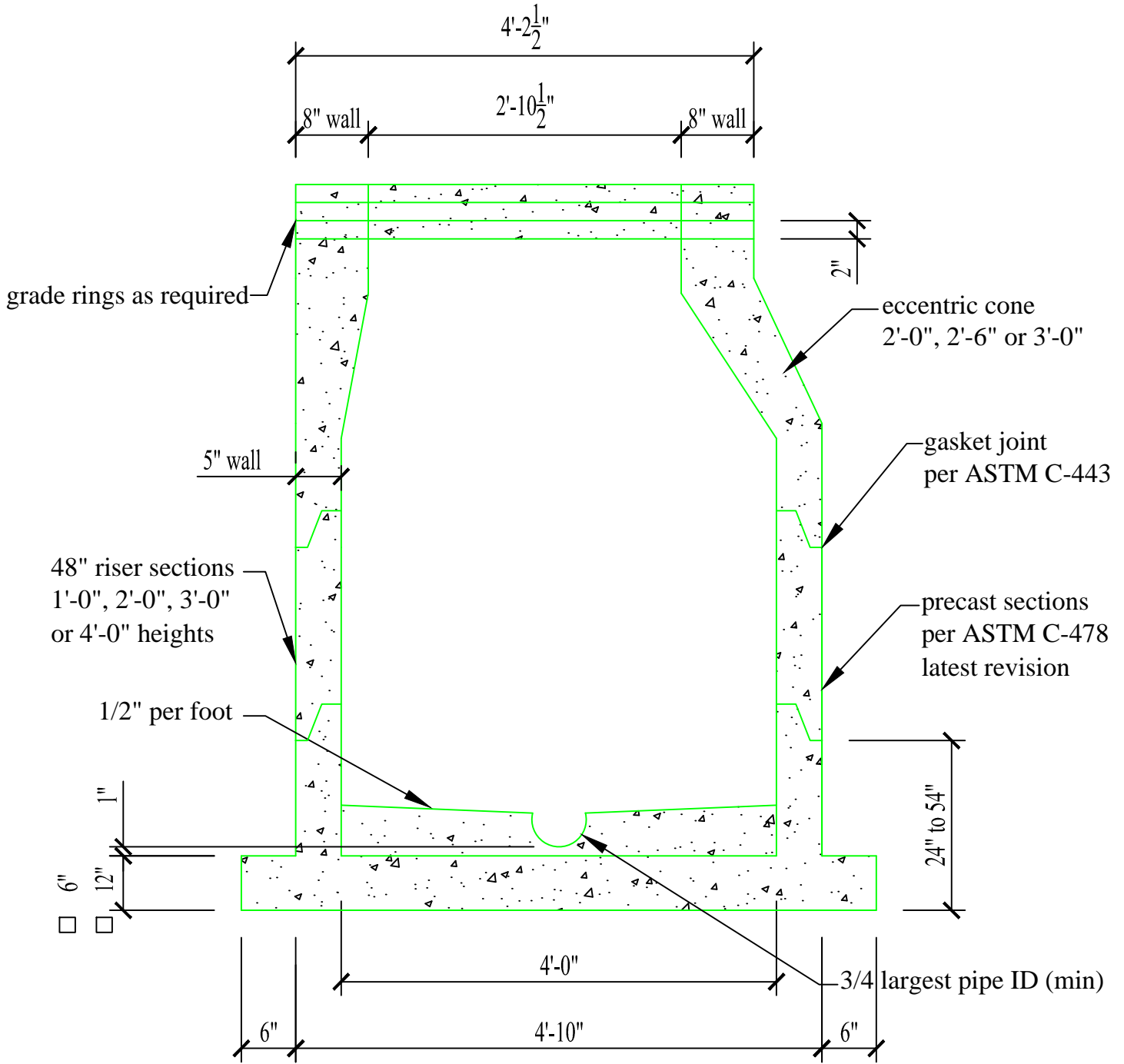


48" Precast Eccentric Manhole with Extended Base



Specifications:

- Concrete has a 28 day strength of 5,000 psi
- Steel reinforcement is ASTM A615 Grade 60

Notes:

- Consult manufacturer before handling



CAPITAL PRECAST, INC.

6905 SOUTH OLD BASTROP HWY
SAN MARCOS, TEXAS 78666
PH. (830) 606-6200

FOR 48" Eccentric Manhole with Extended Base

JOB

DRAWN

RW

DATE

9/26/2016

Rev. No.

SHEET

FILE

catalog/sanitary/48 Manhole Ecc with Ext. Base

1 OF 1