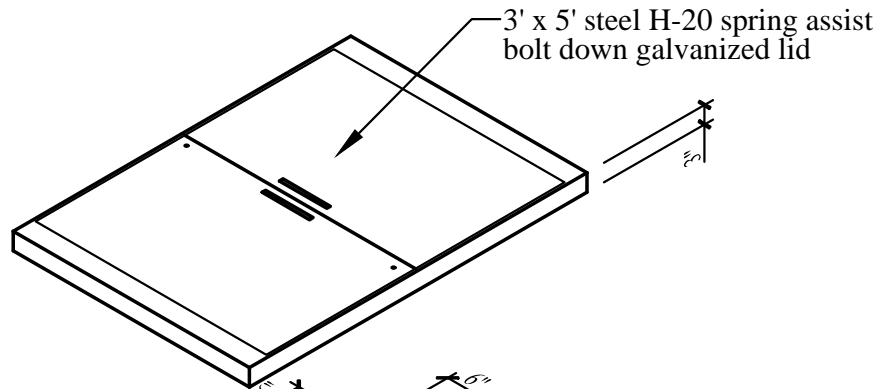
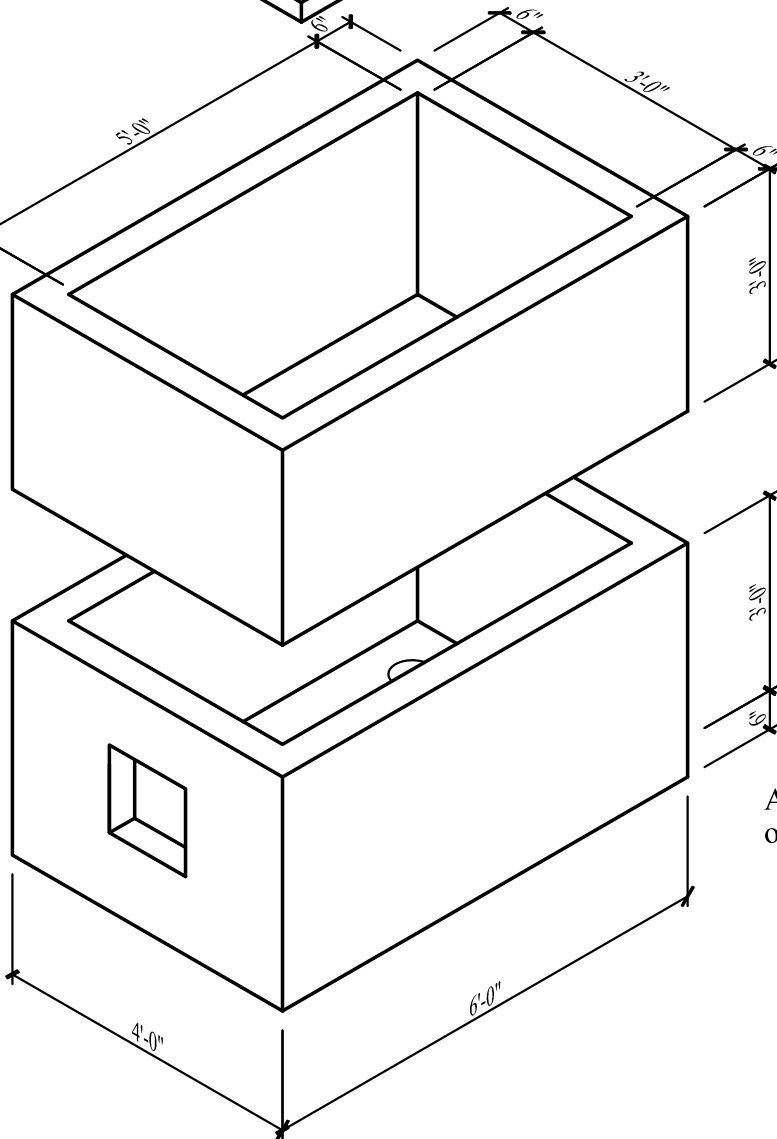


3' x 5' x 6' Meter Vault



Bottom Section
 knockouts as requested
 6" thru drain hole in floor



Approximate weight
 of base: 5,800 lbs

Specifications:

- Concrete has a 28 day strength of 5,000 psi
- Steel reinforcement is ASTM A615 Grade 60
- Load design is H-20

Notes:

- Consult manufacturer before handling



CAPITAL PRECAST, INC.

6905 SOUTH OLD BASTROP HWY
 SAN MARCOS, TEXAS 78666
 PH. (830) 606-6200

FOR 3' x 5' x 6' Meter Vault

JOB

DRAWN

RW

DATE

7/20/2016

Rev. No.

SHEET

FILE

catalog/vaults/3x5metervault

1 OF 1