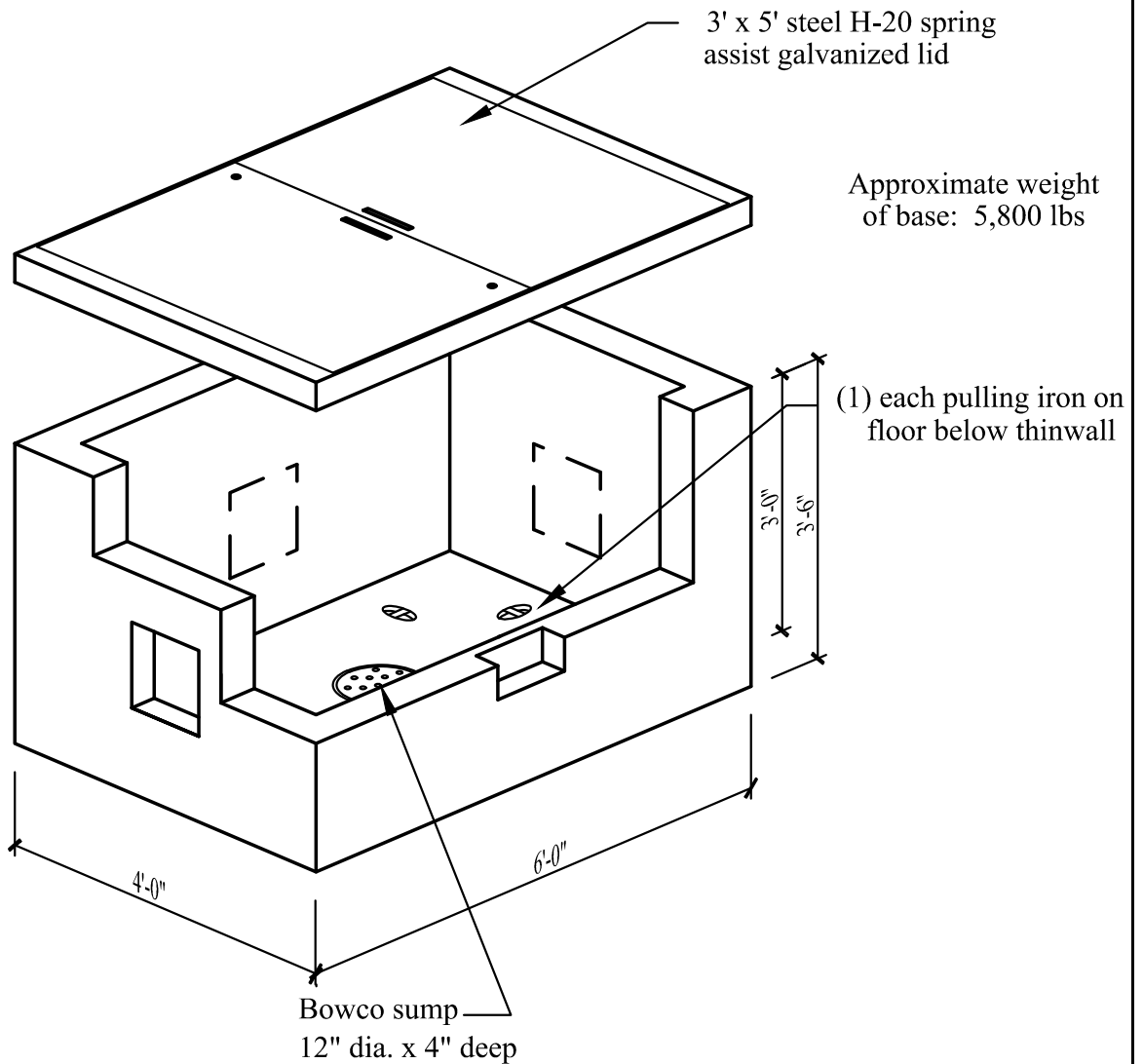


3' x 5' x 3' Electric/Communication Vault



Bottom Section

- 6" walls and floor
- 12" x 12" thinwall knockout typical all sides 6" up from floor

Specifications:

- Concrete has a 28 day strength of 5,000 psi
- Steel reinforcement is ASTM A615 Grade 60
- Load design is H20
- 1/2" inserts installed in field by contractor

Notes:

- Consult manufacturer before handling



CAPITAL PRECAST, INC.

6905 SOUTH OLD BASTROP HWY
SAN MARCOS, TEXAS 78666
PH. (830) 606-6200

FOR 3' x 5' x 3' Electric/Communication Vault

JOB

DRAWN

RW

DATE

12/1/2015

Rev. No.

SHEET

FILE

catalog/elec.comm vault/3x5x3 Elec.Comm Vault

1 OF 1