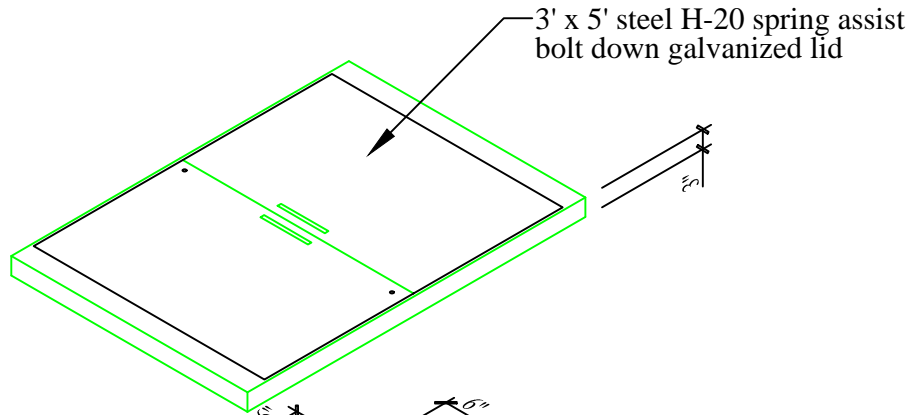
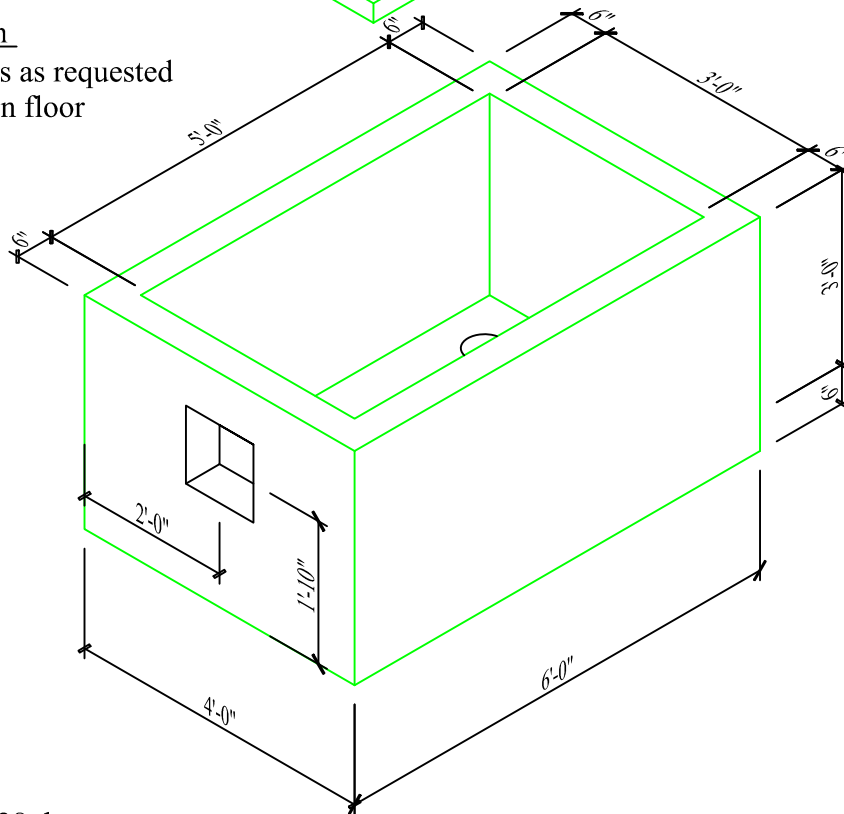


# 3' x 5' Meter Vault



## Bottom Section

12" x 12" knockouts as requested  
6" thru drain hole in floor



Approximate weight  
of base: 5,800 lbs

## Specifications:

- Concrete has a 28 day strength of 5,000 psi
- Steel reinforcement is ASTM A615 grade 60
- Load design is H-20

## Notes:

- Consult manufacturer before handling



CAPITAL PRECAST, INC.

6905 SOUTH OLD BASTROP HWY  
SAN MARCOS, TEXAS 78666  
PH. (830) 606-6200

FOR 3' x 5' Meter Vault

JOB

DRAWN

RW

DATE

12/1/2015

Rev. No.

SHEET

FILE

catalog/vaults/3x5metervault

1 OF 1