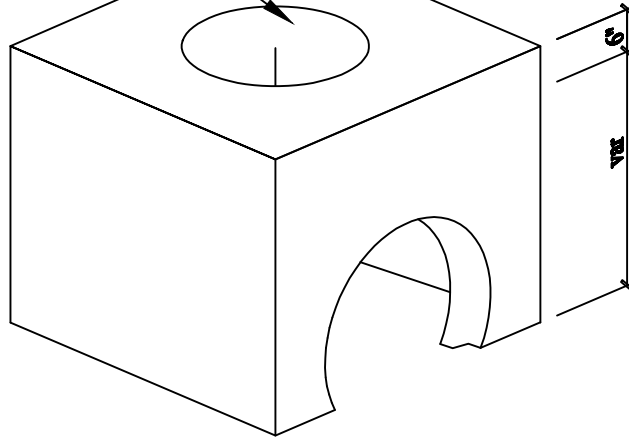


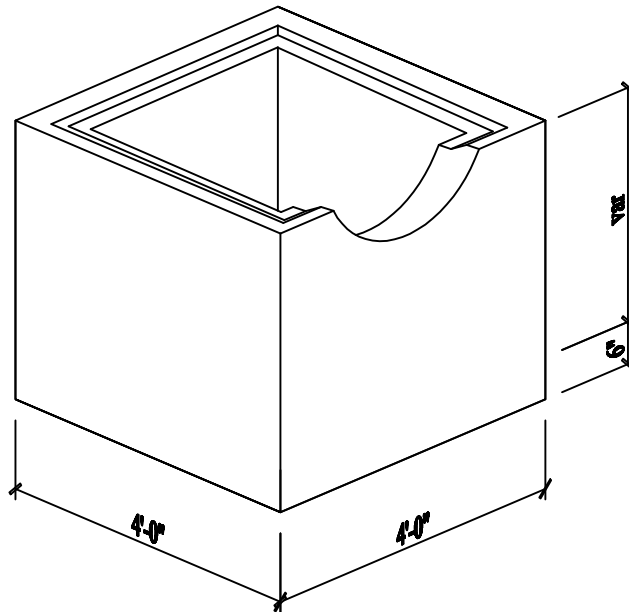
3' x 3' x var Junction Box

opening as per job specification



Bottom Section

knockouts as requested



Approximate weight of base: 5,000 lbs at 3'-0" height

Specifications:

- Concrete has a 28 day strength of 5,000 psi
- Steel reinforcement is ASTM A615 grade 60
- Load design is H-20

Notes:

- Consult manufacturer before handling
- The structure shall be placed on a compacted granular base



CAPITAL PRECAST, INC.

6905 SOUTH OLD BASTROP HWY
SAN MARCOS, TEXAS 7866
PH. (830) 606-6200

FOR 3' x 3' x var' Junction Box

JOB

DRAWN

RW

DATE

8/1/2013

Rev. No.

SHEET

FILE

catalog/junction boxes/3x3-2piece

1 OF 1