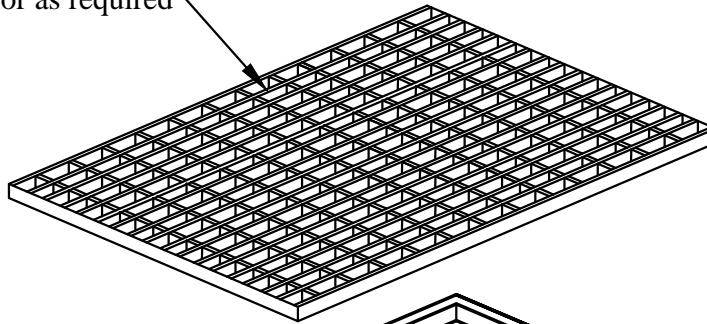


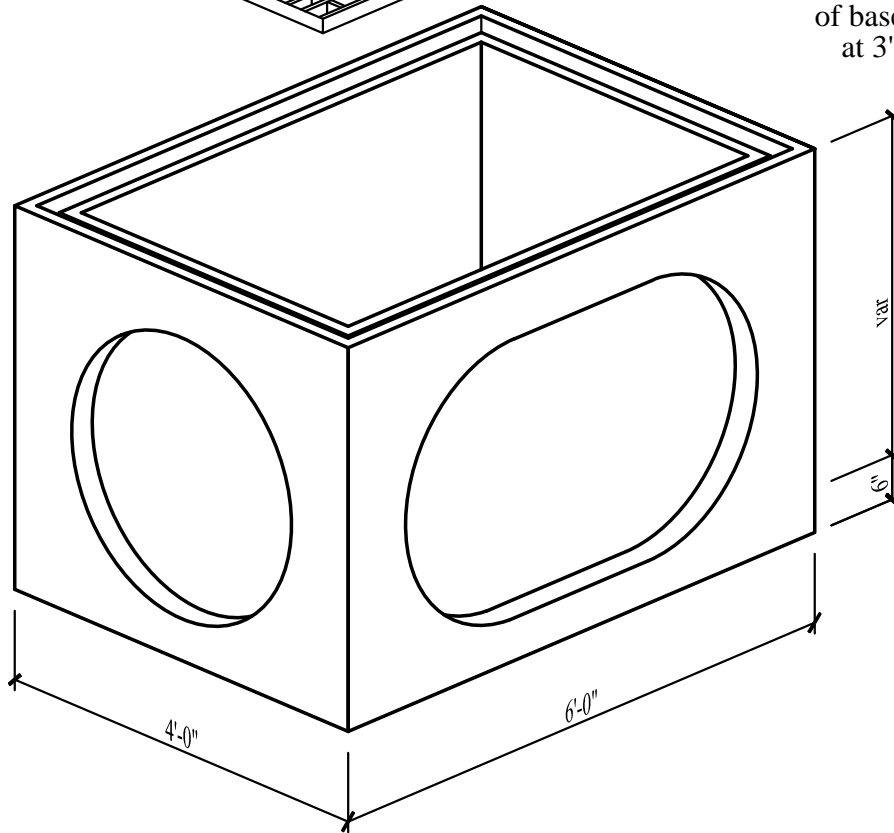
3' x 5' x 3' Grate Inlet

H-20 galvanized steel
frame and grate or as required



Approximate weight
of base: 5,900 lbs
at 3'-0" height

Bottom Section
knockouts as requested



Specifications:

- Concrete has a 28 day strength of 5,000 psi
- Steel reinforcement is ASTM A615 grade 60
- Load design is H-20

Notes:

- Consult manufacturer before handling



CAPITAL PRECAST, INC.

6905 SOUTH OLD BASTROP HWY
SAN MARCOS, TEXAS 78666
PH. (830) 606-6200

FOR 3' x 5' x 3' Grate Inlet

JOB

DRAWN

RW

DATE

9/27/2016

Rev. No.

SHEET

FILE

catalog/grate inlets/3x5x3 Grate Inlet

1 OF 1