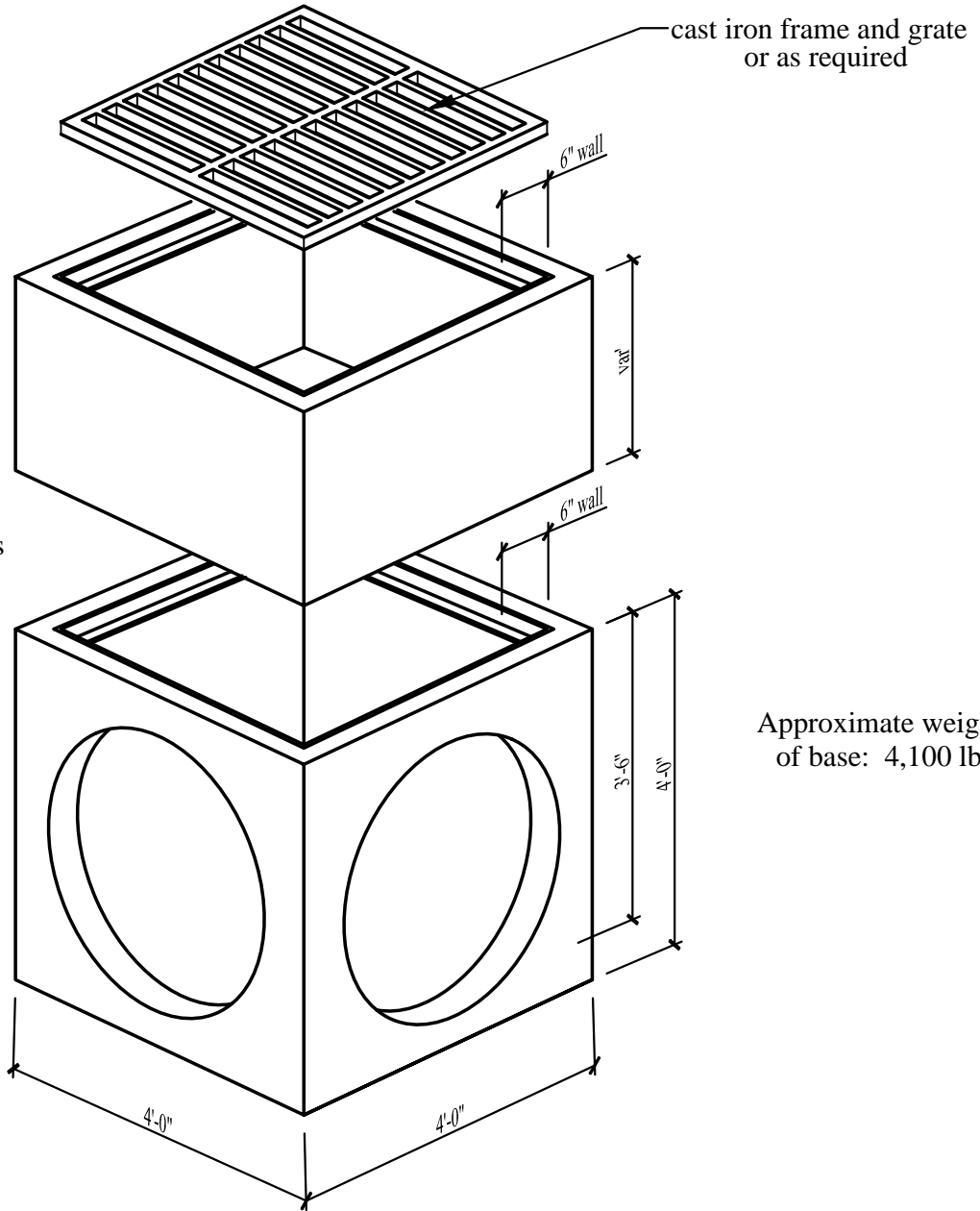


# 3' x 3' x var Grate Inlet



Bottom Section  
 36" dia thinwall knockouts  
 all four sides

Approximate weight  
 of base: 4,100 lbs

**Specifications:**

- Concrete has a 28 day strength of 5,000 psi
- Steel reinforcement is ASTM A615 grade 60
- Load design is H-20

**Notes:**

- Consult manufacturer before handling



**CAPITAL PRECAST, INC.**

6905 SOUTH OLD BASTROP HWY  
 SAN MARCOS, TEXAS 78666  
 PH. (830) 606-6200

FOR 3' x 3' x var Grate Inlet

JOB

DRAWN

RW

DATE

12/1/2015

Rev. No.

SHEET

FILE

catalog/grate inlets/3x3 Grate Inlet

1 OF 1