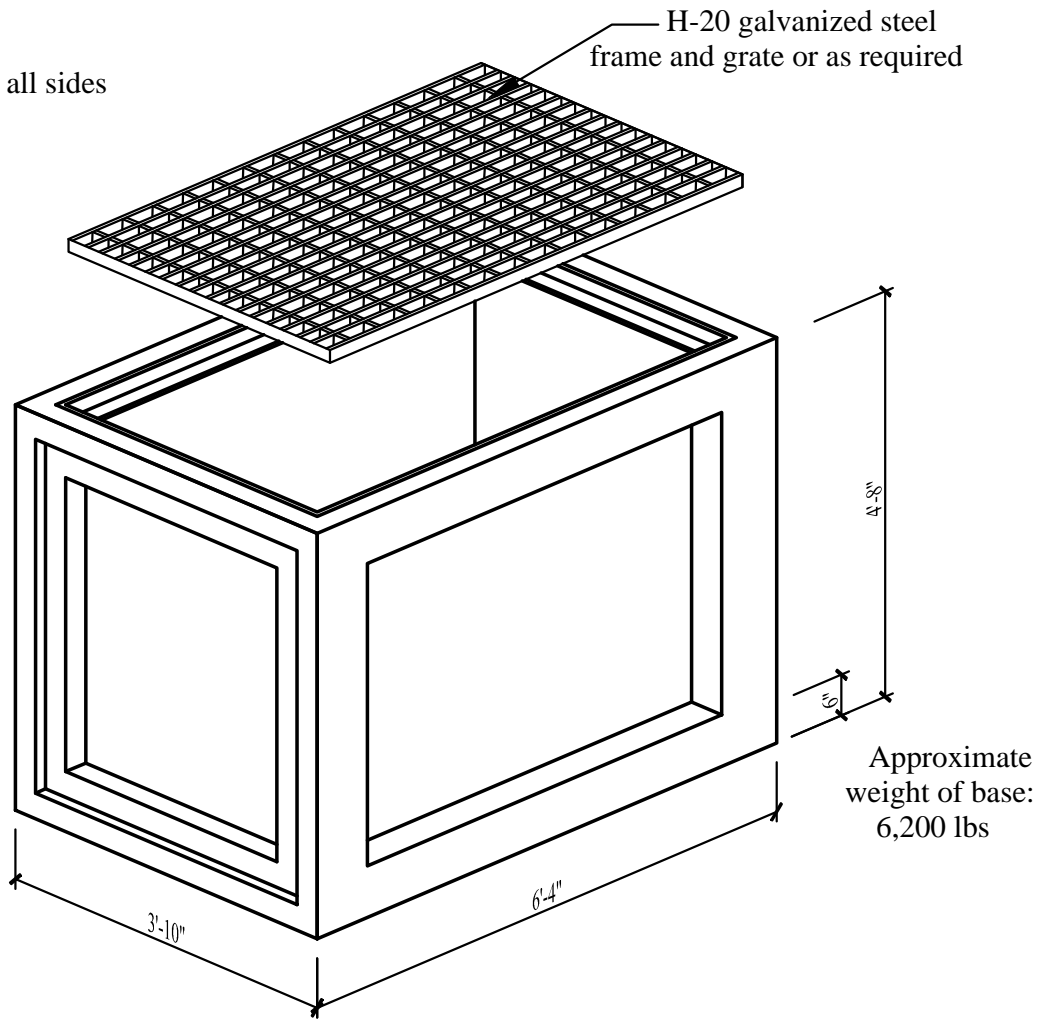


30" x 60" x 4'-2" Grate Inlet with H-20 Grate

- 8" thick walls
- thinwall knockouts all sides



Specifications:

- Concrete has a 28 day strength of 5,000 psi
- Steel reinforcement is ASTM A615 grade 60
- Load design is H-20

Notes:

- Consult manufacturer before handling



CAPITAL PRECAST, INC.

6905 SOUTH OLD BASTROP HWY
SAN MARCOS, TEXAS 78666
PH. (830) 606-6200

FOR 30" x 60" Grate Inlet

JOB

DRAWN

RW

DATE

7/22/2016

Rev. No.

SHEET

FILE

catalog/grate inlets/30x60 Grate Inlet

1 OF 1