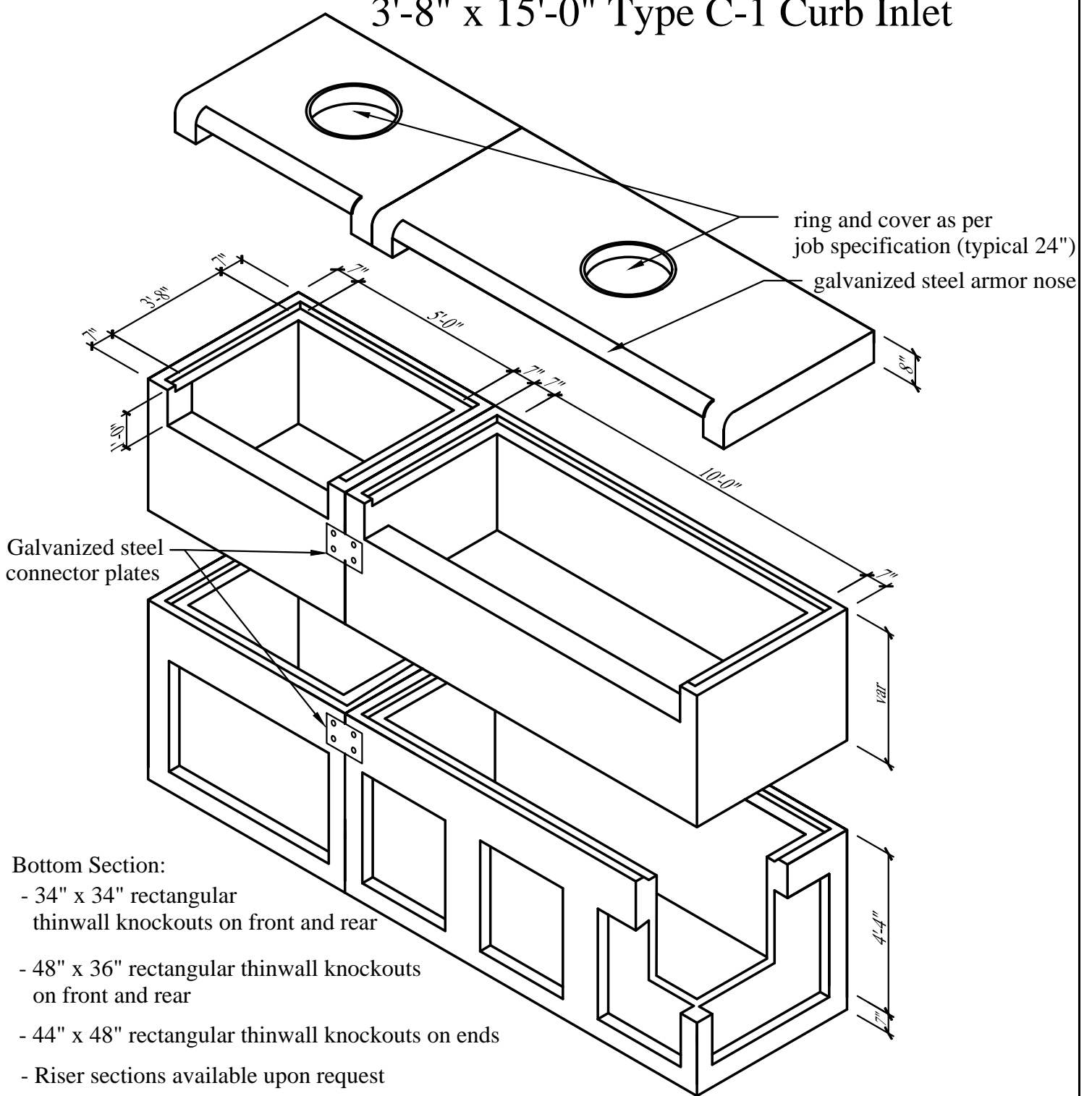


# 3'-8" x 15'-0" Type C-1 Curb Inlet



Galvanized steel connector plates

ring and cover as per job specification (typical 24")  
galvanized steel armor nose

### Bottom Section:

- 34" x 34" rectangular thinwall knockouts on front and rear
- 48" x 36" rectangular thinwall knockouts on front and rear
- 44" x 48" rectangular thinwall knockouts on ends
- Riser sections available upon request
- Concrete has a 28 day strength of 5,000 psi
- Steel reinforcement is ASTM A615 grade 60
- Load design is H-20

Approximate weight of base: 6,000 lbs at 4'-4" height

Notes:  
- Consult manufacturer before handling



CAPITAL PRECAST, INC.

6905 SOUTH OLD BASTROP HWY  
SAN MARCOS, TEXAS 78666  
PH. (830) 606-6200

FOR 3'-8" x 15'-0" Type C-1 Curb Inlet

JOB

DRAWN

RW

DATE

2/1/2016

Rev. No.

SHEET

FILE

catalog/curbinlets/3-8x15 Type C1

1 OF 1