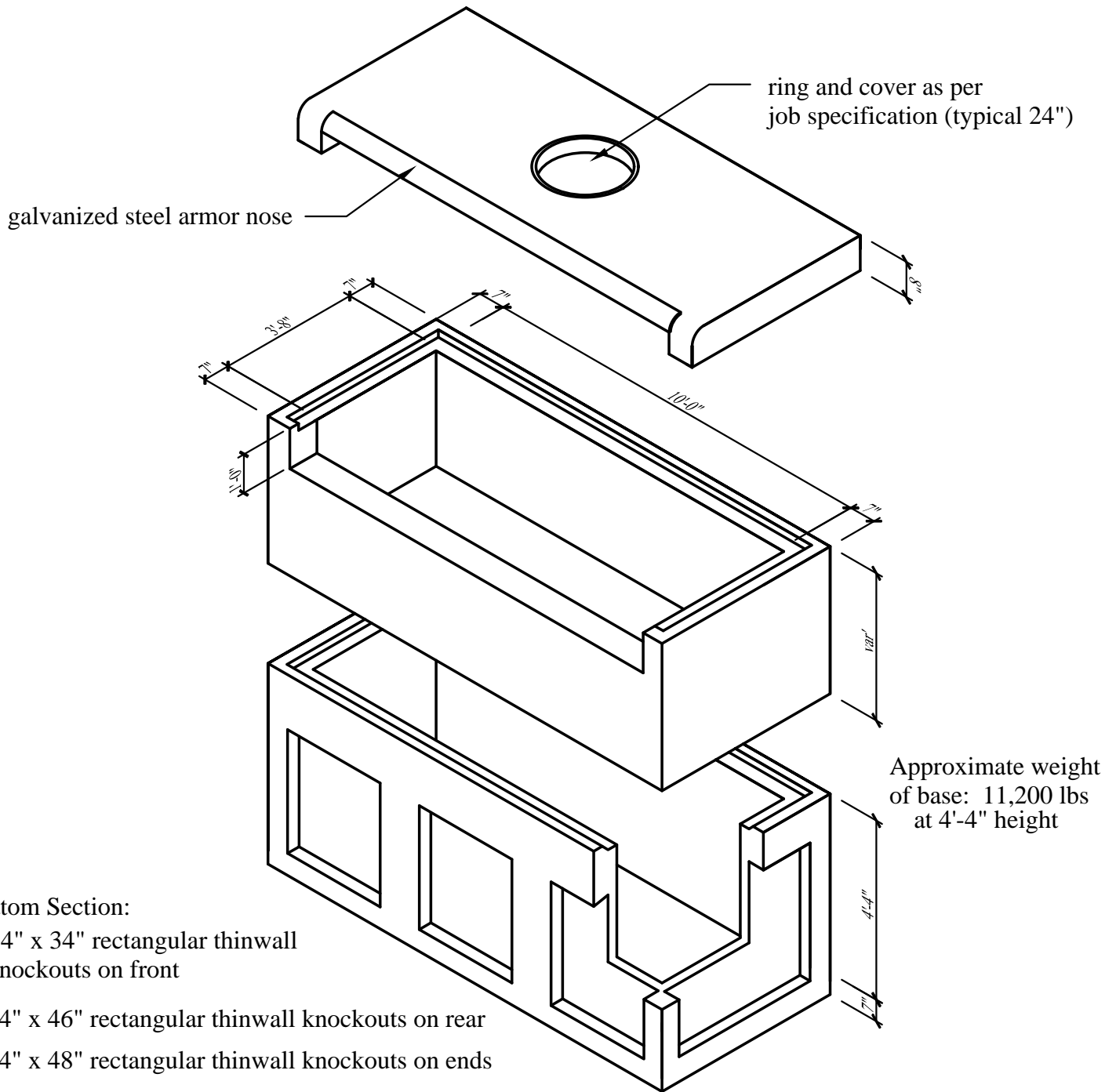


# 3'-8" x 10'-0" Type C-1 Curb Inlet



Approximate weight of base: 11,200 lbs at 4'-4" height

**Bottom Section:**

- 34" x 34" rectangular thinwall knockouts on front
- 34" x 46" rectangular thinwall knockouts on rear
- 44" x 48" rectangular thinwall knockouts on ends
- Riser sections available upon request
- Concrete has a 28 day strength of 5,000 psi
- Steel reinforcement is ASTM A615 grade 60
- Load design is H-20

**Notes:**

- Consult manufacturer before handling



**CAPITAL PRECAST, INC.**

6905 SOUTH OLD BASTROP HWY  
 SAN MARCOS, TEXAS 78666  
 PH. (830) 606-6200

FOR 3'-8" x 10'-0" Type C-1 Curb Inlet

JOB

DRAWN

RW

DATE

12/1/2015

Rev. No.

SHEET

FILE

catalog/curbinlets/3'-8x10 TypeC1

1 OF 1