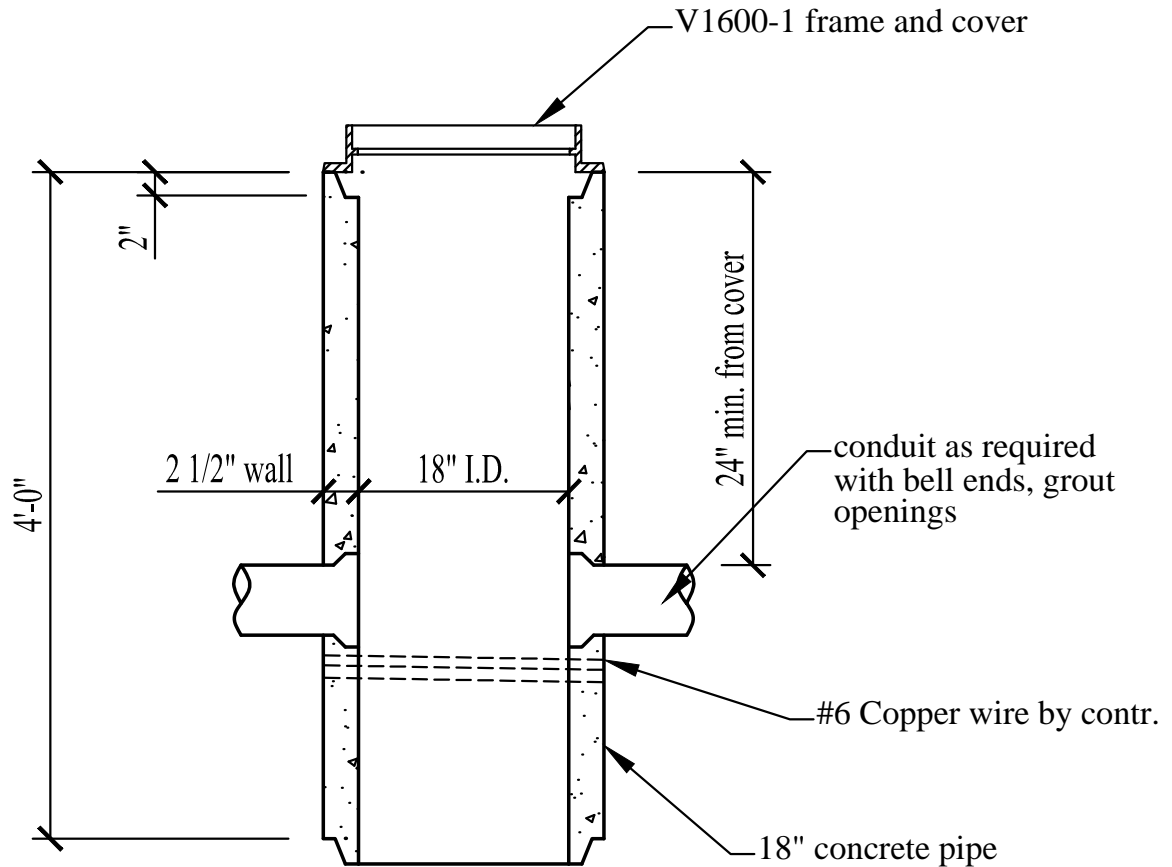


18" Pullbox (Traffic Type)



Specifications:

- Concrete has a 28 day strength of 5,000 psi
- Steel reinforcement is ASTM A615 Grade 60

Notes:

- The structure shall be placed on a compacted granular base
- Consult Manufacturer before handling



CAPITAL PRECAST, INC.

800 WATSON LANE EAST
NEW BRAUNFELS, TEXAS 78130
PH. (830) 606-6200

FOR

18" Pullbox (Traffic Type)

JOB

DRAWN

RW

DATE

4/23/14

ENG. No.

SHEET

1 OF 1

FILE

f:/users/renee/autoCAD/18traffic pullbox.dwg