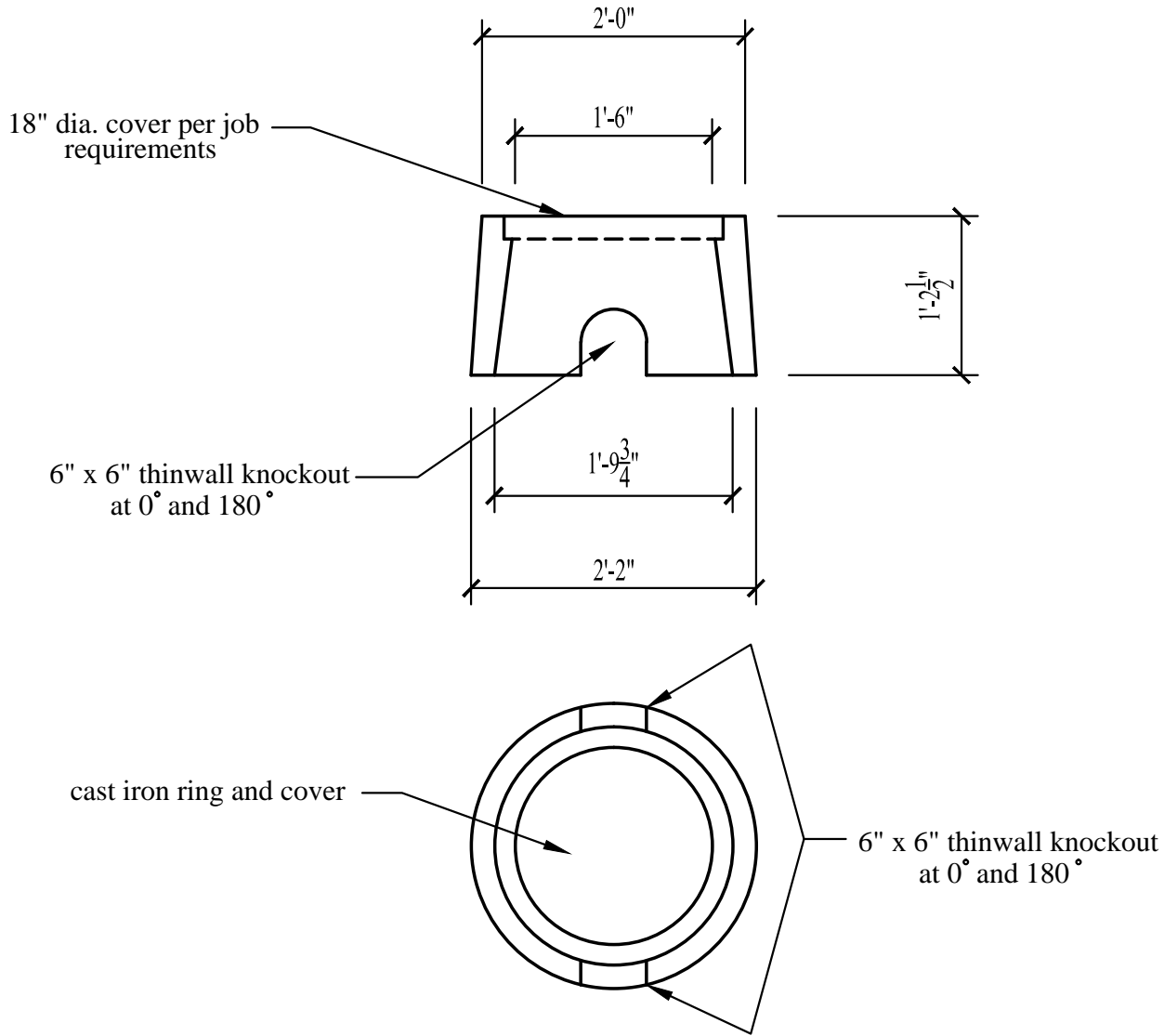


18" Meter Box



- Specifications:
- Concrete has a 28 day strength of 5,000 psi
 - Steel reinforcement is ASTM A615 grade 60
 - Load design is H-20

- Notes:
- Consult manufacturer before handling



CAPITAL PRECAST, INC.
 6905 SOUTH OLD BASTROP HWY
 SAN MARCOS, TEXAS 78666
 PH. (830) 606-6200

| | | | |
|-------------------|----|----------|---------------------------|
| FOR 18" Meter Box | | | |
| JOB | | | |
| DRAWN | RW | DATE | 12/1/2015 |
| | | Rev. No. | |
| FILE | | | catalog/vaults/18meterbox |
| | | | SHEET |
| | | | 1 OF 1 |