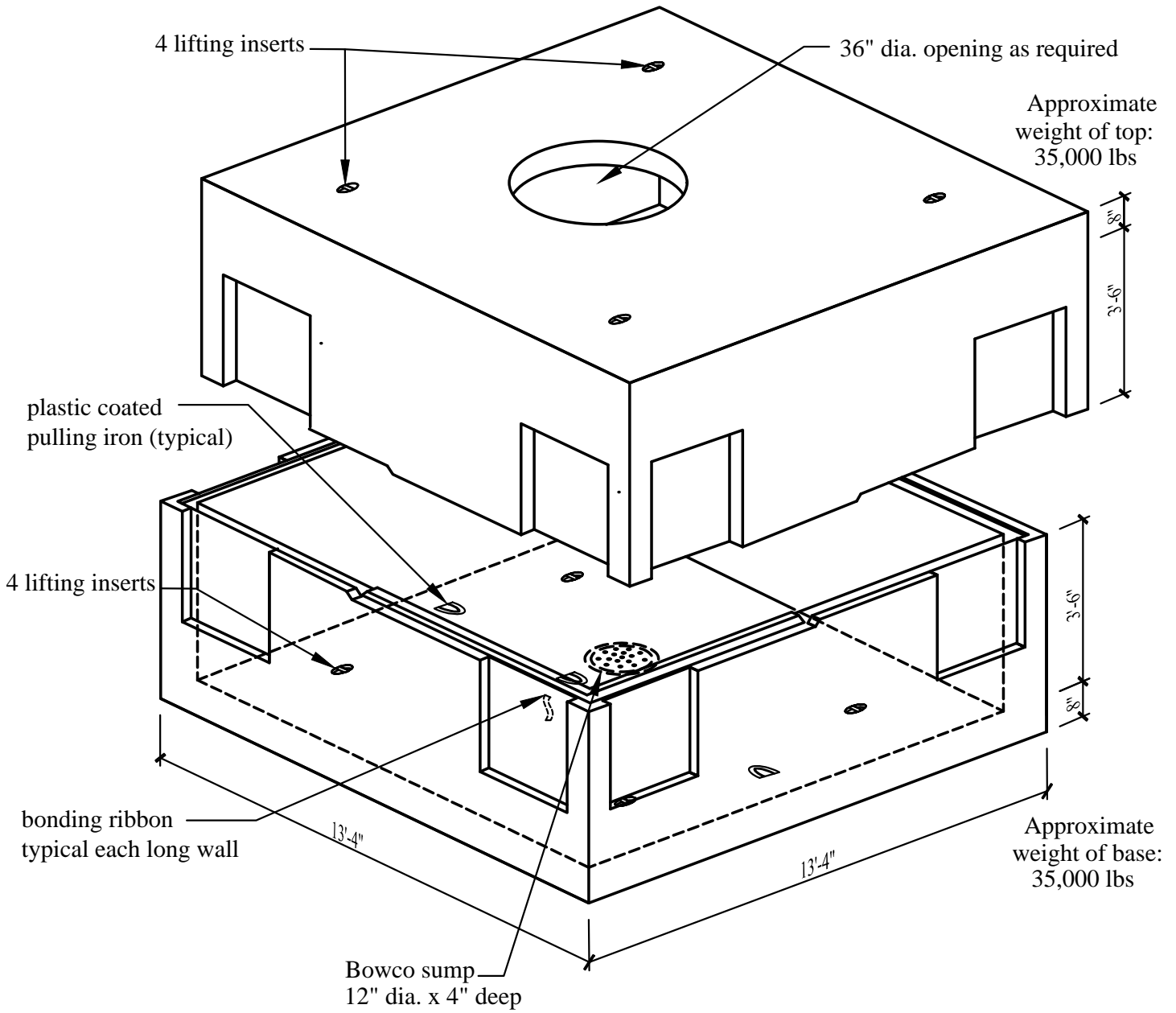


12' x 12' x 7' Communication Vault City of Austin



Specifications:

- Concrete has a 28 day strength of 5,000 psi
- Steel reinforcement is ASTM A615 Grade 60

Notes:

- Consult manufacturer before handling
- 24" x 24" thinwall knockouts all four walls



CAPITAL PRECAST, INC.

6905 SOUTH OLD BASTROP HWY
SAN MARCOS, TEXAS 78666
PH. (830) 606-6200

FOR 12' x 12' x 7' Communication Vault - Austin

JOB

DRAWN	RW	DATE	12/1/2015	Rev. No.	SHEET
FILE catalog/elec.comm vault/12x12x7 Comm Vault - COA					1 OF 1