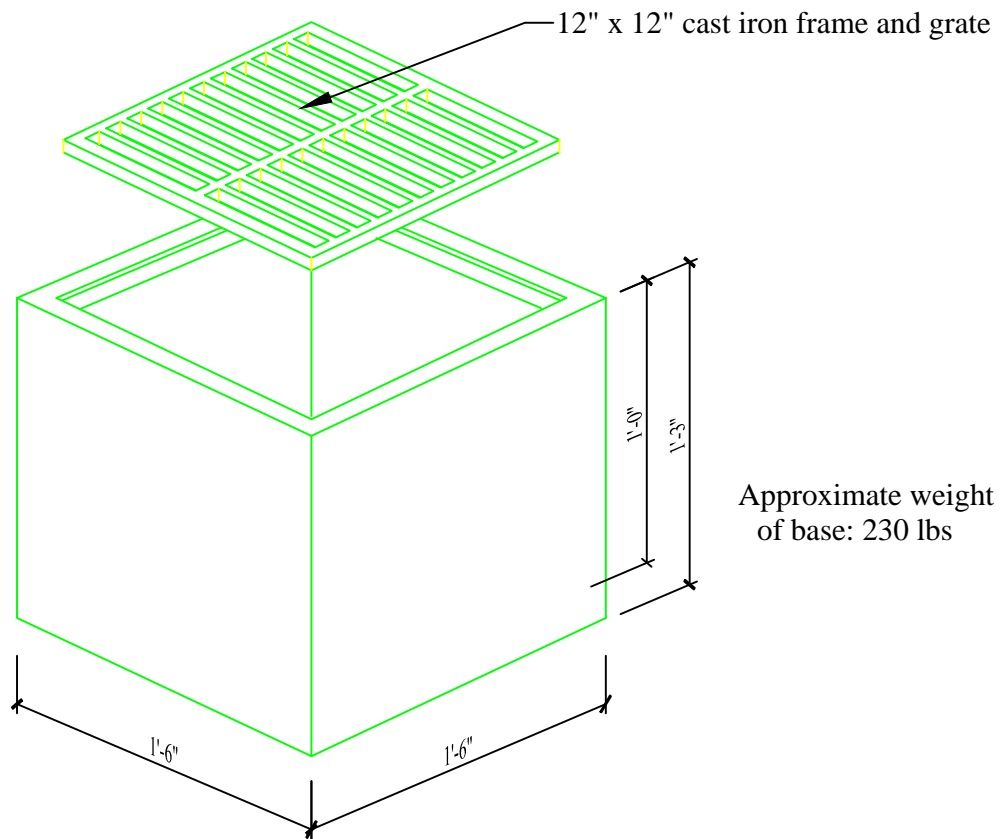


# 12" x 12" x 12" Grate Inlet for Sump



Approximate weight  
of base: 230 lbs

### Specifications:

- Concrete has a 28 day strength of 5,000 psi
- Steel reinforcement is ASTM A615 grade 60
- Load design is H-20

### Notes:

- Consult manufacturer before handling
- The structure shall be placed on a compacted granular base



**CAPITAL PRECAST, INC.**

6905 SOUTH OLD BASTROP HWY  
SAN MARCOS, TEXAS 78666  
PH. (830) 606-6200

FOR 12" x 12" x var Grate Inlet

JOB

DRAWN

RW

DATE

9/26/2016

Rev. No.

SHEET

FILE

catalog/grate inlets/12x12 Grate Inlet

1 OF 1