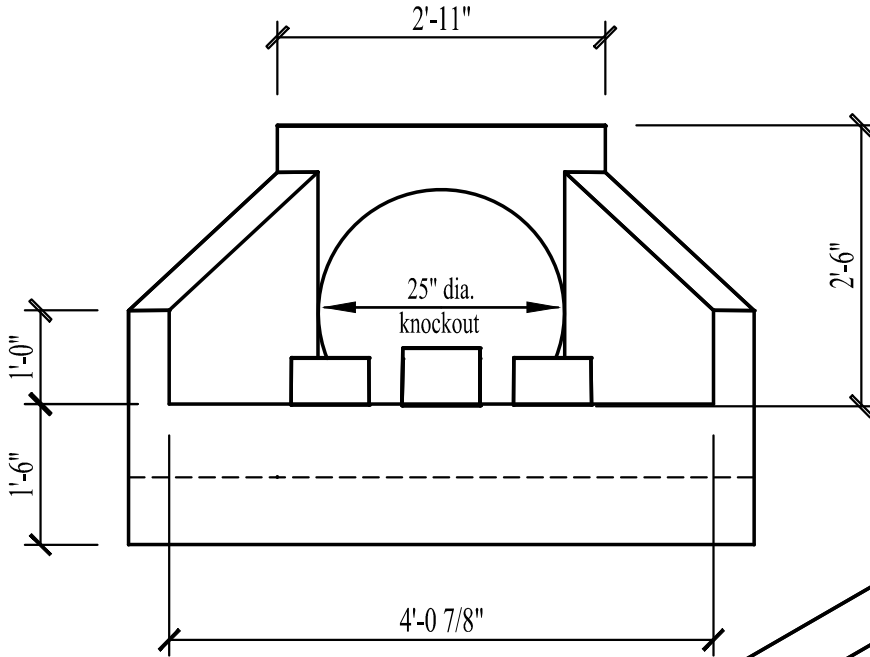
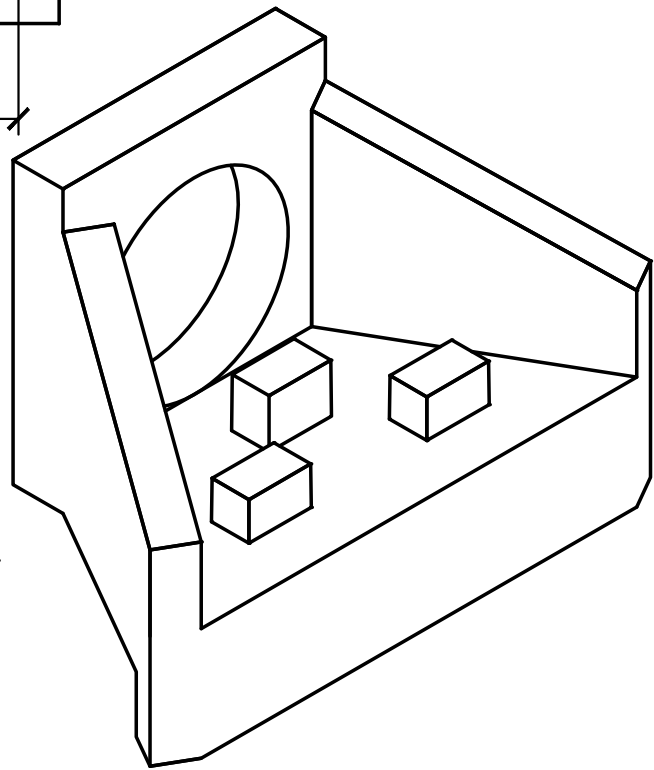
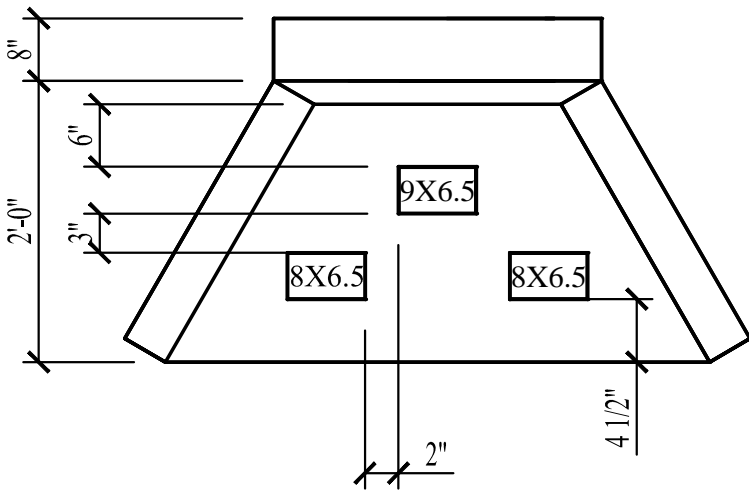


12" or 15" dia. Headwall (with dissipators)



Approximate weight of product: 1,000 lbs

Concrete and steel specifications designed to meet Texas Highway Department standards



- Specifications:
- Concrete has a 28 day strength of 5,000 psi
 - Steel reinforcement is ASTM A615 grade 60
 - All edges chamfered 3/4"

Notes:
- Consult manufacturer before handling



CAPITAL PRECAST, INC.

6905 SOUTH OLD BASTROP HWY
SAN MARCOS, TEXAS 78666
PH. (830) 606-6200

FOR 12" Headwall

JOB

DRAWN

RW

DATE

12/1/2015

Rev. No.

SHEET

FILE

catalog/headwalls/12 Headwall

1 OF 1