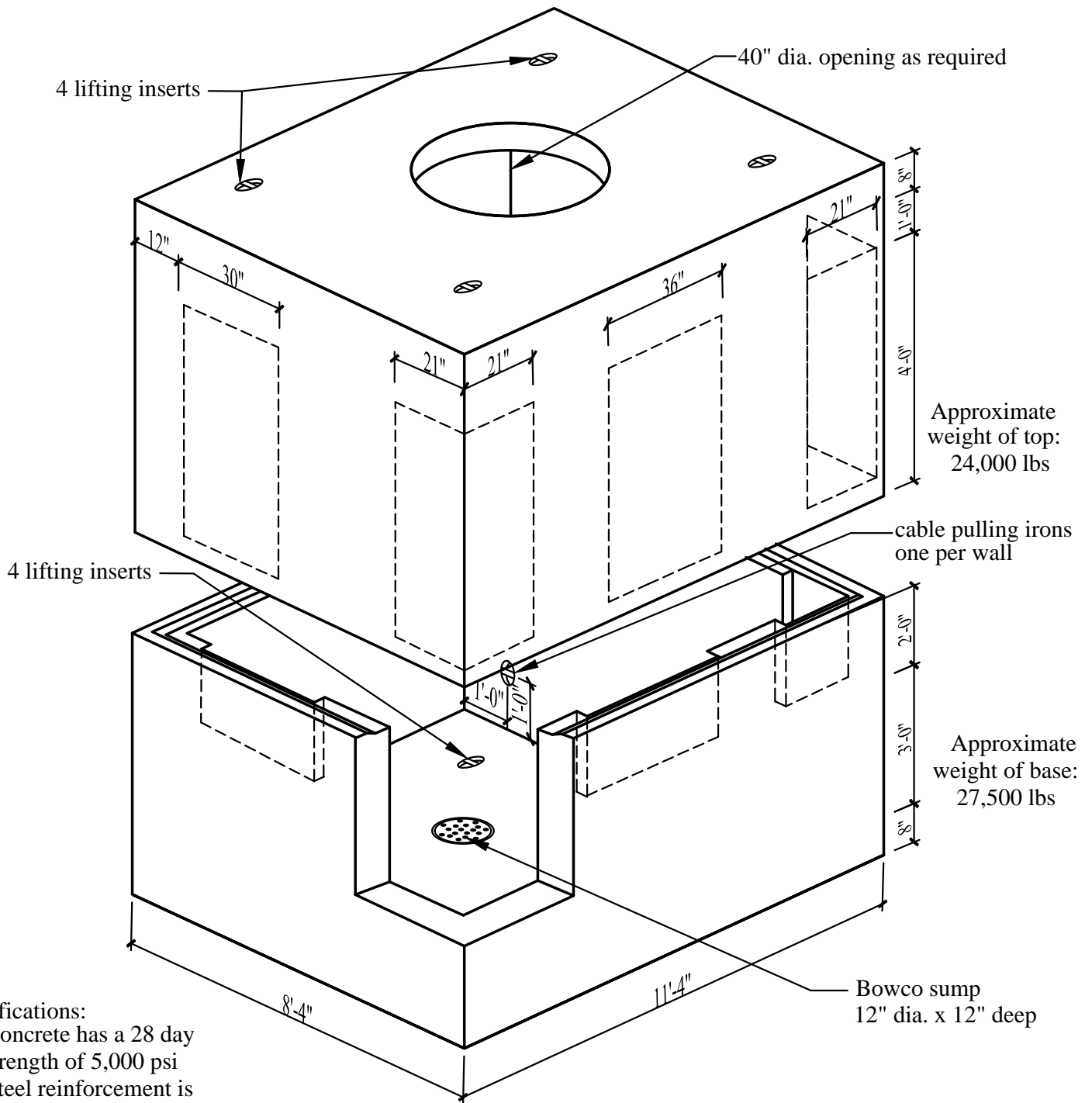


# CPS Precast Manhole 10' x 7' x 10'



- Specifications:**
- Concrete has a 28 day strength of 5,000 psi
  - Steel reinforcement is ASTM A615 Grade 60
  - Product built in accordance with CPS spec 349-04

**Notes:**

- Consult manufacturer before handling



**CAPITAL PRECAST, INC.**

6905 SOUTH OLD BASTROP HWY  
SAN MARCOS, TEXAS 78666  
PH. (830) 606-6200

FOR 10' x 7' x 10' Manhole - CPS

JOB

DRAWN

RW

DATE

12/1/2015

Rev. No.

SHEET

FILE

catalog/elec.comm vaults/10x7x10 Manhole - CPS

1 OF 1