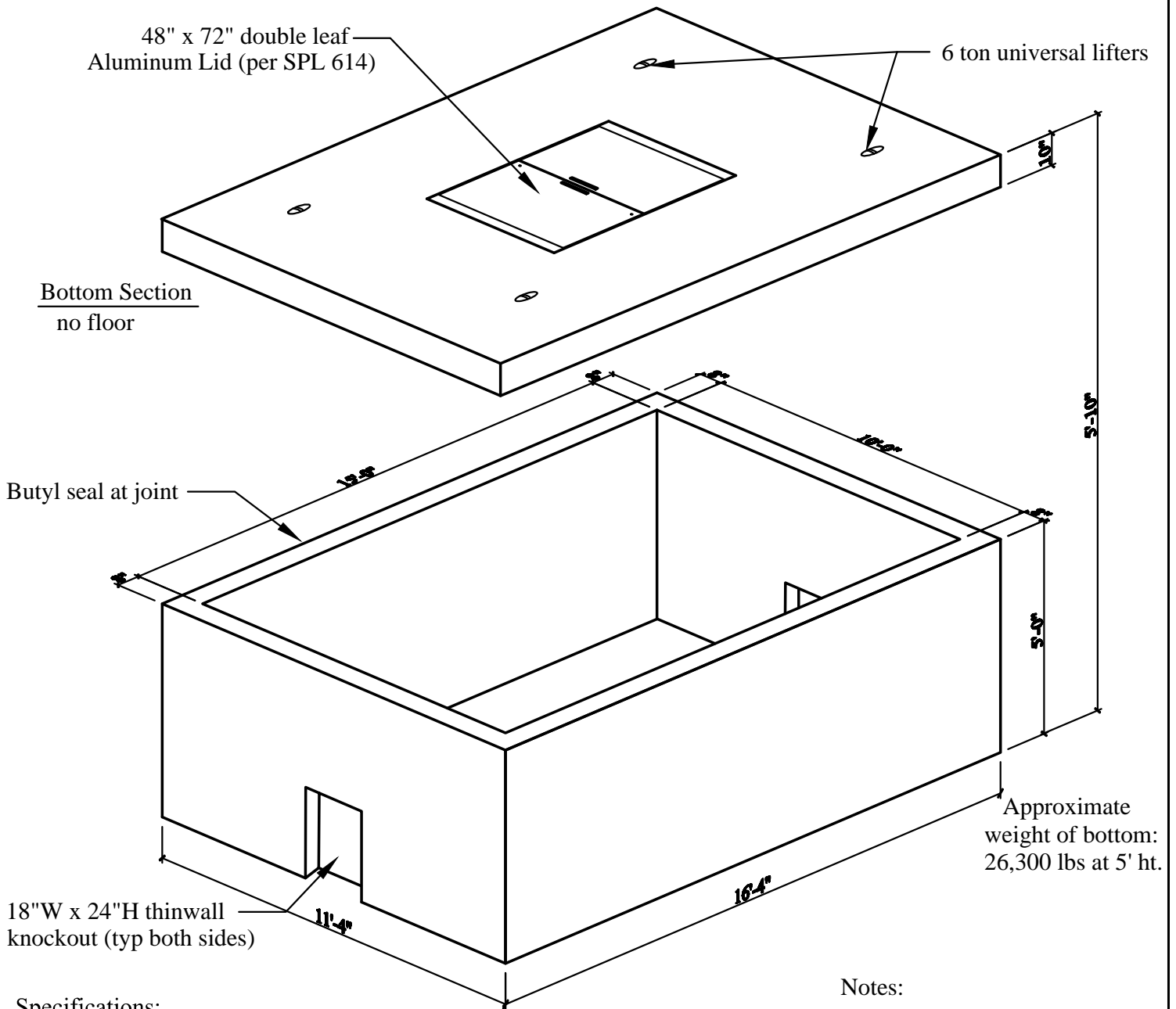


10' x 15' Meter Vault with 48" x 72" H2O Aluminum Lid (per Austin Specifications)



Specifications:

- Concrete has a 28 day strength of 5,000 psi
- Steel reinforcement is ASTM A615 Grade 60
- Load design is H-20

Notes:

- Consult manufacturer before handling

Typical Applications:

- City of Austin 10" fireline meter (SPL #298)



CAPITAL PRECAST, INC.

6905 SOUTH OLD BASTROP HWY
SAN MARCOS, TEXAS 78666
PH. (830) 606-6200

FOR 10' x 15' Meter Vault - Austin

JOB

DRAWN

RW

DATE

12/1/2015

Rev. No.

SHEET

FILE

catalog/vaults/10x15 Austin Meter Vault

1 OF 1