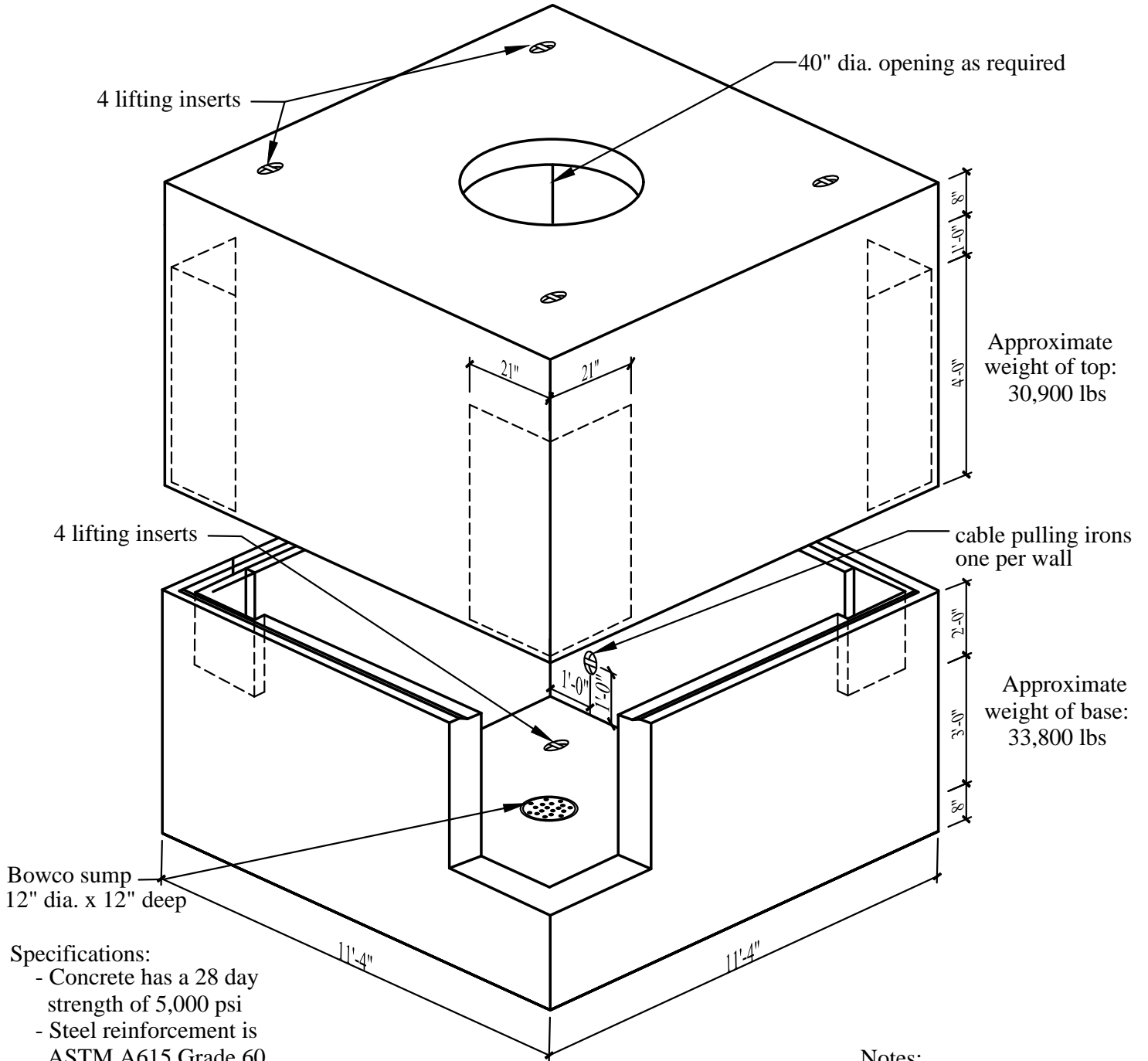


CPS Precast Manhole 10' x 10' x 10'



Approximate weight of top:
30,900 lbs

Approximate weight of base:
33,800 lbs

Bowco sump
12" dia. x 12" deep

- Specifications:
- Concrete has a 28 day strength of 5,000 psi
 - Steel reinforcement is ASTM A615 Grade 60
 - Product built in accordance with CPS spec 349-04

Notes:
- Consult manufacturer before handling



CAPITAL PRECAST, INC.

6905 SOUTH OLD BASTROP HWY
SAN MARCOS, TEXAS 78666
PH. (830) 606-6200

FOR 10' x 10' x 10' Manhole - CPS

JOB

DRAWN

RW

DATE

12/1/2015

Rev. No.

SHEET

FILE catalog/elec.comm vault/10x10x10 Manhole - CPS

1 OF 1