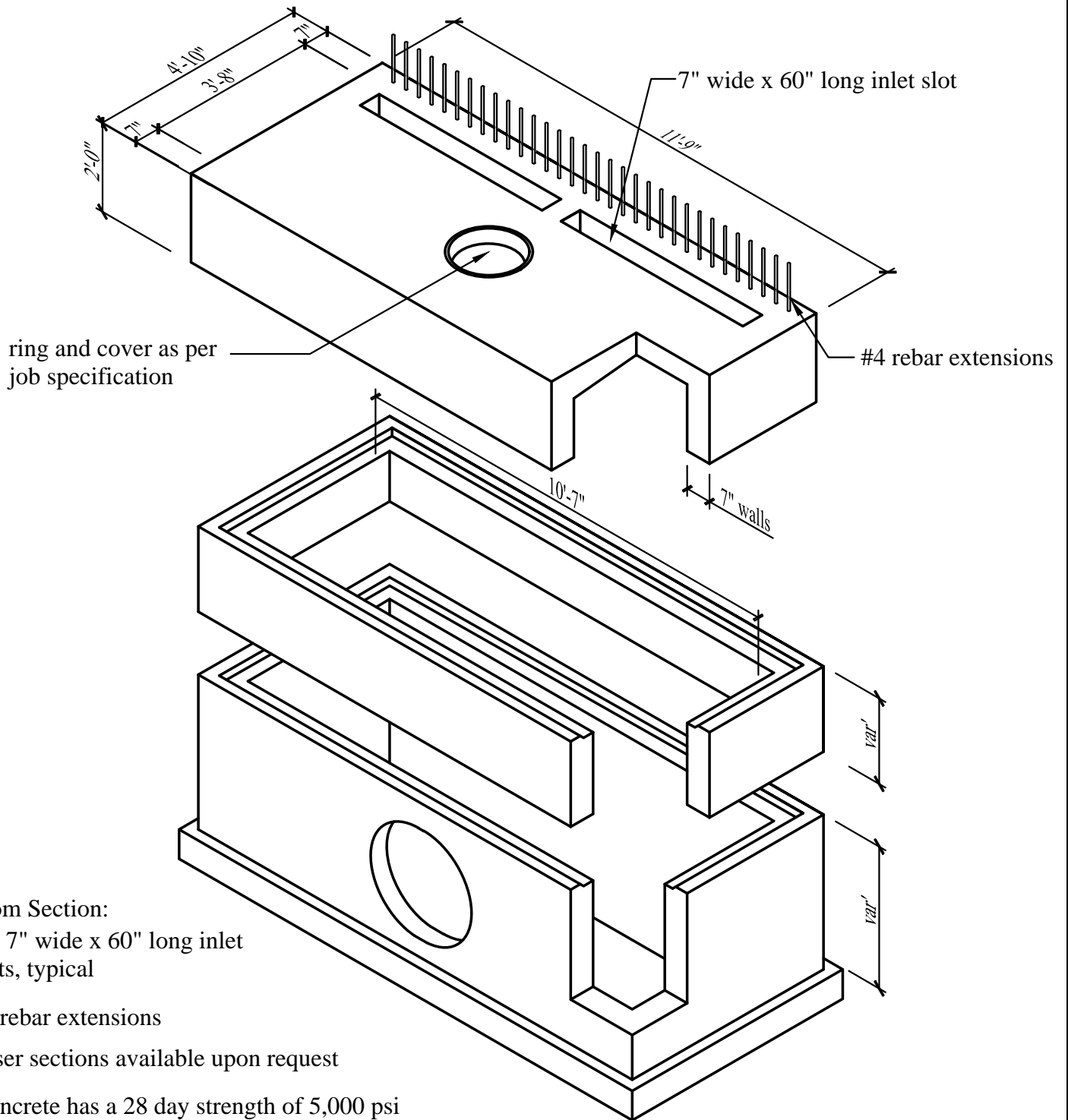


TxDOT Type C 10'-0" Curb Inlet



Bottom Section:

- (2) 7" wide x 60" long inlet slots, typical
- #4 rebar extensions
- Riser sections available upon request
- Concrete has a 28 day strength of 5,000 psi
- Steel reinforcement is ASTM A615 grade 60
- Load design is H-20

Notes:

- Consult manufacturer before handling



CAPITAL PRECAST, INC.

6905 SOUTH OLD BASTROP HWY
SAN MARCOS, TEXAS 78666
PH. (830) 606-6200

FOR TxDOT Type C 10'-0" Curb Inlet

JOB

DRAWN

RW

DATE

12/1/2015

Rev. No.

SHEET

FILE

catalog/curbinlets/10' TxDOT CI Type C

1 OF 1