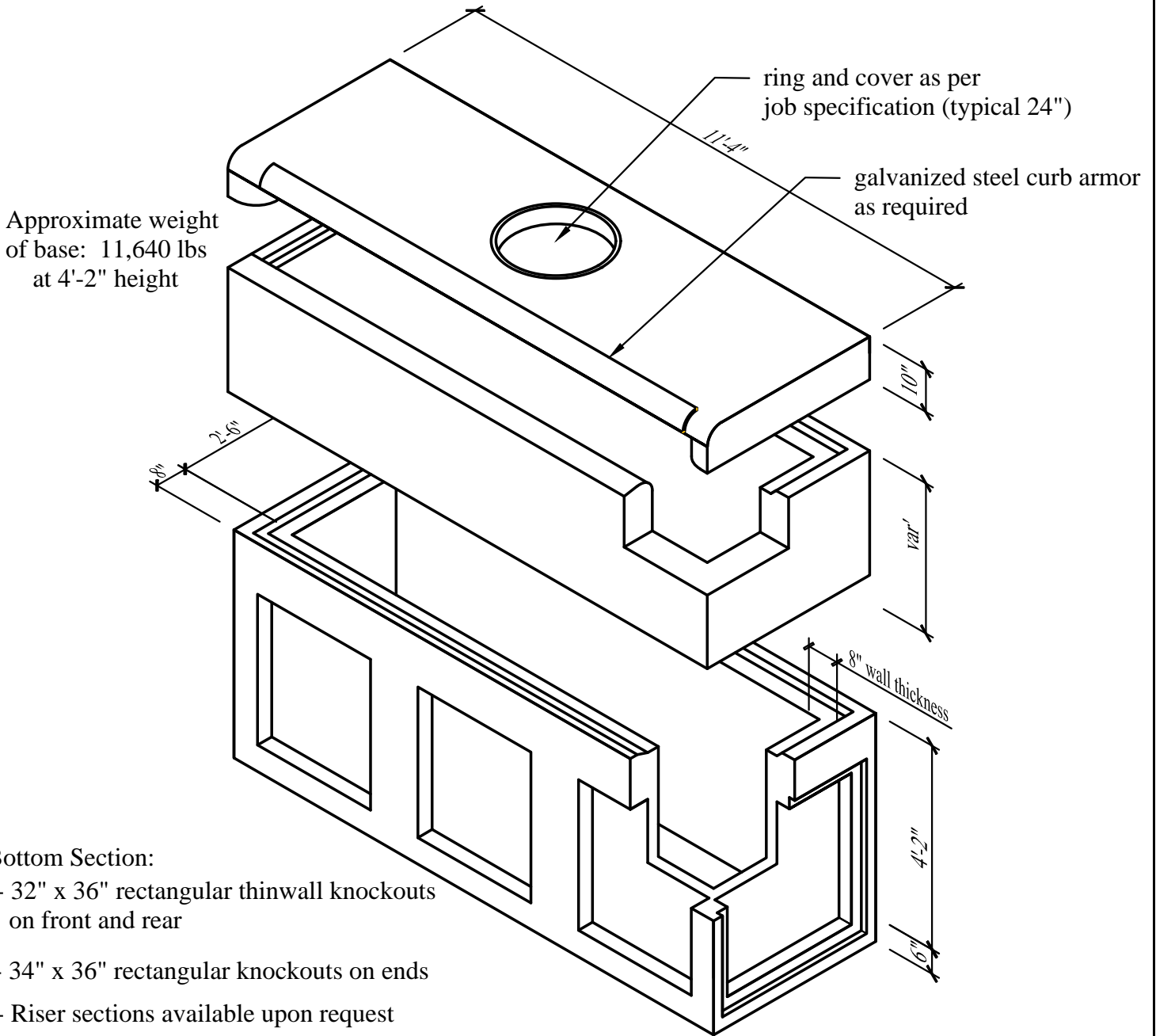


City of San Antonio

10' Curb Inlet with Variable Invert and Galvanized Armor



Bottom Section:

- 32" x 36" rectangular thinwall knockouts on front and rear
- 34" x 36" rectangular knockouts on ends
- Riser sections available upon request
- Concrete has a 28 day strength of 5,000 psi
- Steel reinforcement is ASTM A615 grade 60
- Load design is H-20

Notes:
 - Consult manufacturer before handling



CAPITAL PRECAST, INC.

6905 SOUTH OLD BASTROP HWY
 SAN MARCOS, TEXAS 78666
 PH. (830) 606-6200

FOR 10' Curb Inlet with Variable Invert and Curb Armor SA

JOB				SHEET	
DRAWN	RW	DATE	12/1/2015	Rev. No.	
FILE				catalog/curbinlets/10' curb SA variable	
				1 OF 1	