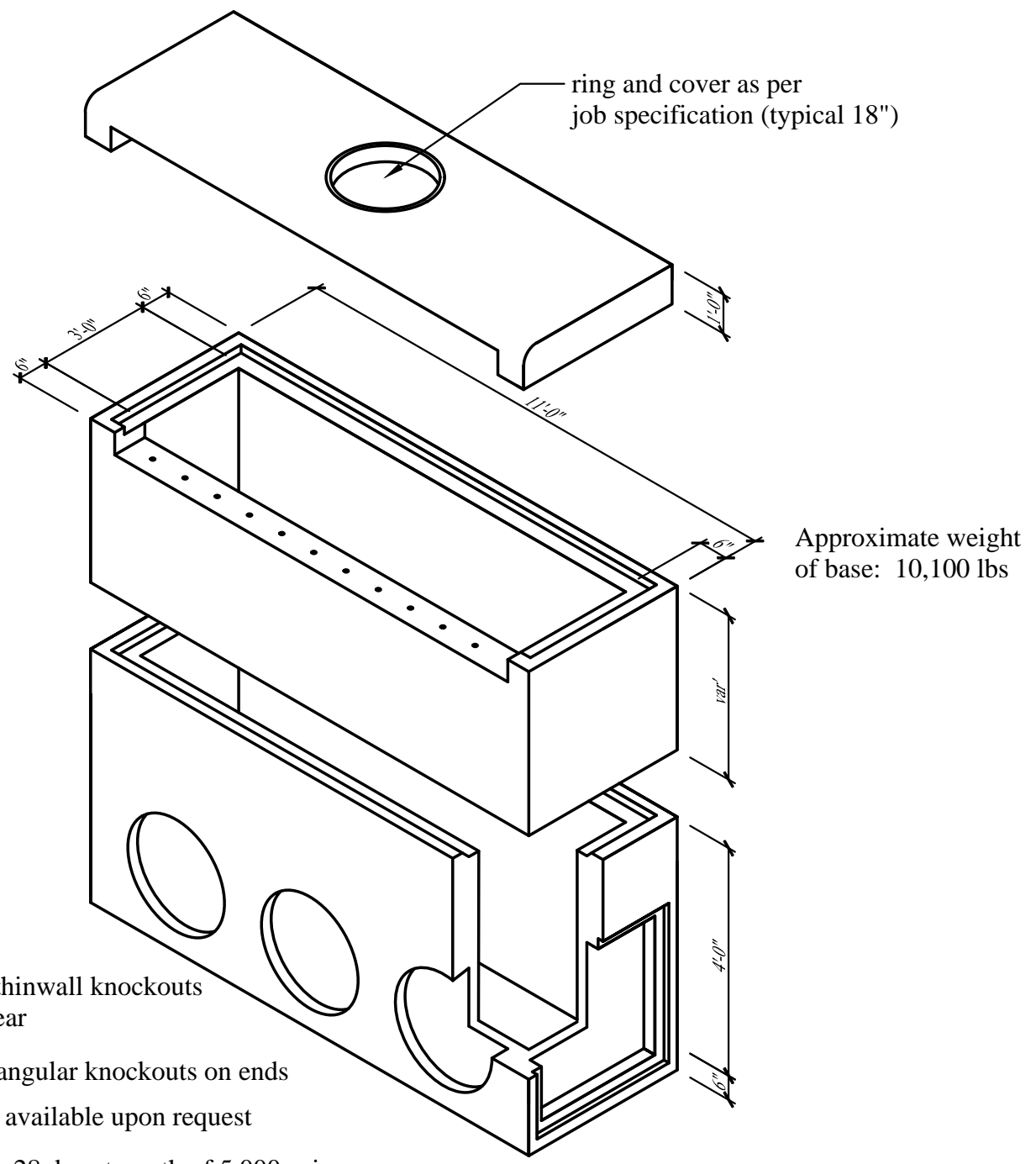


City of Austin 10' Curb Inlet with Variable Invert




Approximate weight of base: 10,100 lbs

Bottom Section:

- 30" diameter thinwall knockouts on front and rear
- 36" x 30" rectangular knockouts on ends
- Riser sections available upon request
- Concrete has a 28 day strength of 5,000 psi
- Steel reinforcement is ASTM A615 grade 60
- Load design is H-20

Notes:

- Consult manufacturer before handling

	CAPITAL PRECAST, INC. 6905 SOUTH OLD BASTROP HWY SAN MARCOS, TEXAS 78666 PH. (830) 606-6200		FOR 10' Curb Inlet with Variable Invert - Austin		
	JOB				
	DRAWN	RW	DATE	12/1/2015	Rev. No.
	FILE				SHEET
catalog/curbinlets/10' curb Austin variable				<u>1</u> OF <u>1</u>	