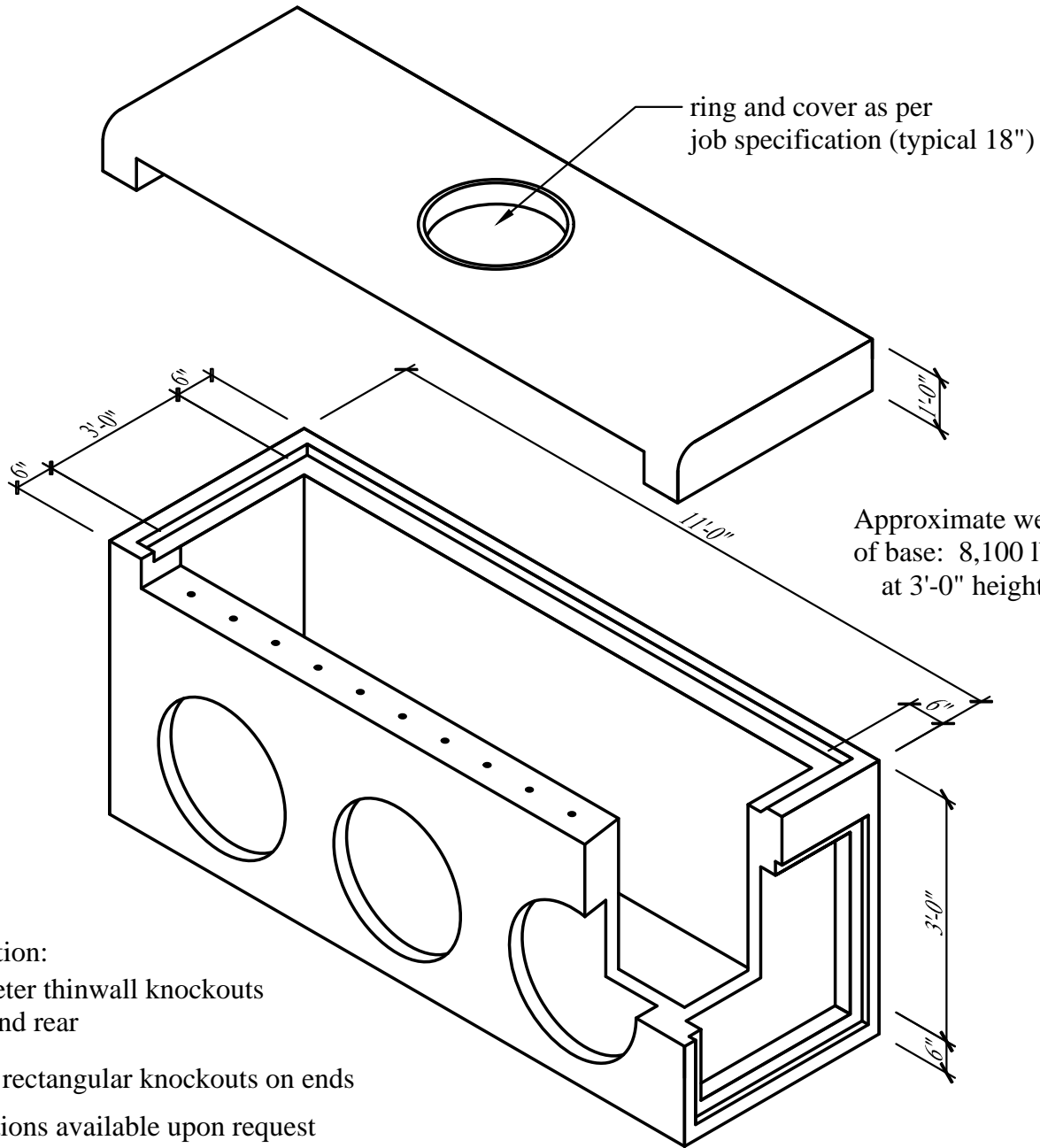


# City of Austin 10' Curb Inlet with 4' Invert



Approximate weight  
of base: 8,100 lbs  
at 3'-0" height

**Bottom Section:**

- 30" diameter thinwall knockouts on front and rear
- 36" x 36" rectangular knockouts on ends
- Riser sections available upon request
- Concrete has a 28 day strength of 5,000 psi
- Steel reinforcement is ASTM A615 grade 60
- Load design is H-20

**Notes:**

- Consult manufacturer before handling



**CAPITAL PRECAST, INC.**

6905 SOUTH OLD BASTROP HWY  
SAN MARCOS, TEXAS 78666  
PH. (830) 606-6200

FOR 10' Curb Inlet - Austin

JOB

DRAWN

RW

DATE

12/1/2015

Rev. No.

SHEET

FILE

catalog/curbinlets/10' curb Austin

1 OF 1